



Model: _____

Item #: _____ Quantity: _____

Project: _____



Shown with Optional Single Over Shelf and Bartender Floor Panel

Accessories

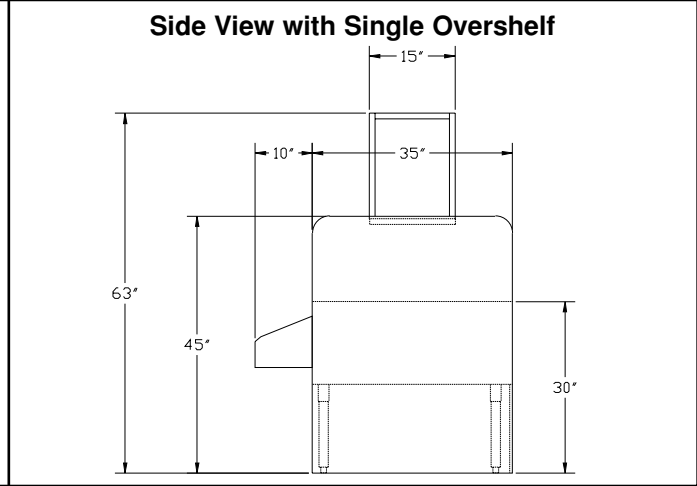
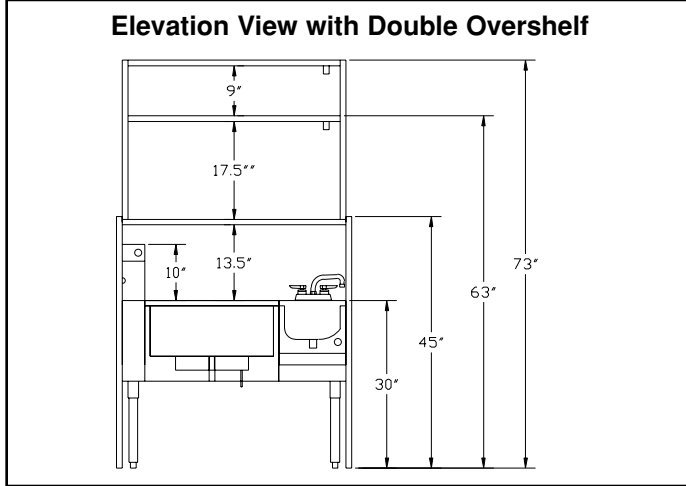
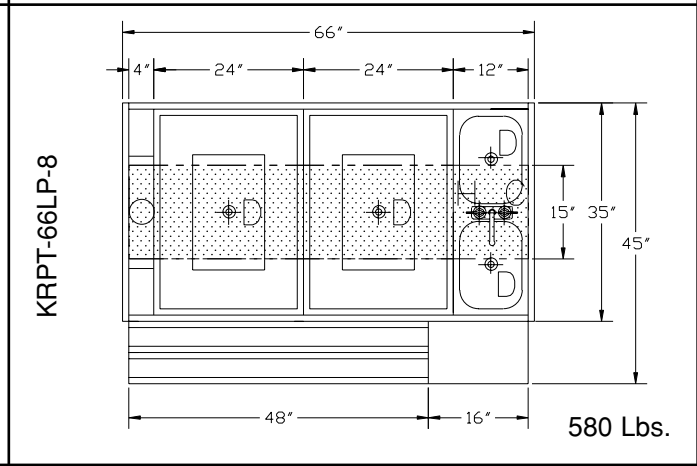
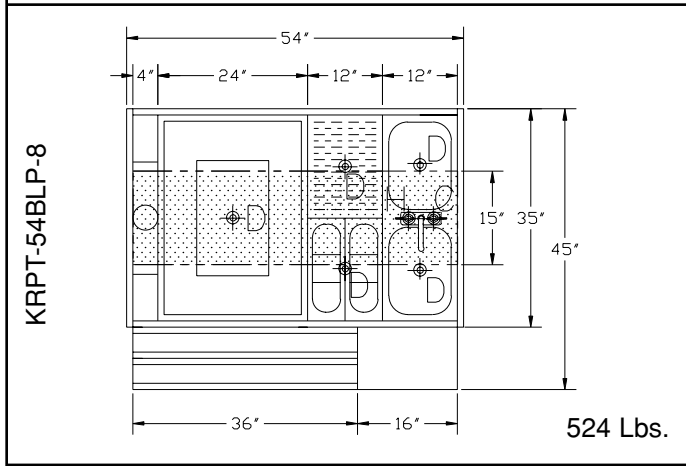
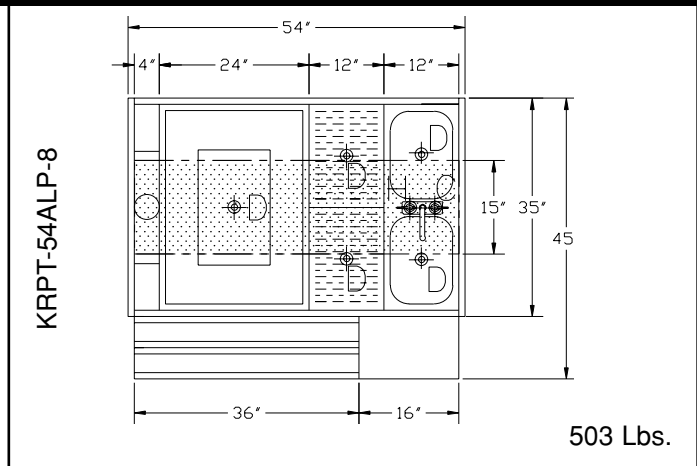
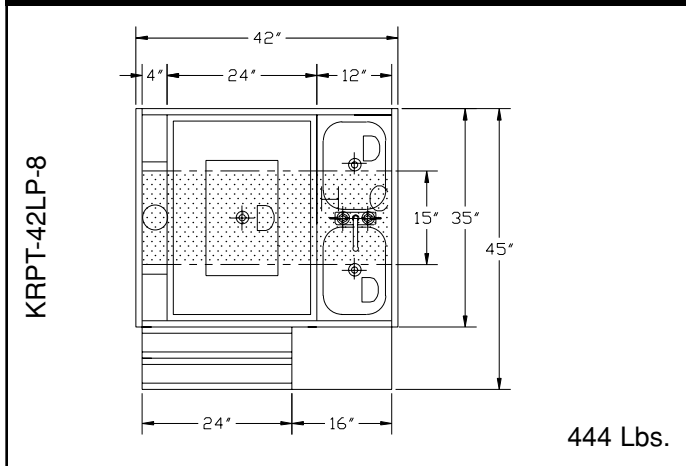
- Stainless Steel Single Overshelf
- Stainless Steel Double Overshelf
- Ten Circuit Cold Plate Upgrade
- Stainless Steel End Panels Upgrade
- Stainless Steel Divider
- Condiment Tray
- Perforated Basket
- Stainless Steel Sliding Cover

- **Ice Bin Interior:**
20 gauge 304 series stainless steel.
- **Dump Sink:**
20 gauge 304 series stainless steel 1 1/2" drain located in center.
- **Tray Shelf:**
22 gauge 304 series stainless steel with drain and perforated top.
- **Overshelf:**
20 gauge 304 series stainless steel with drain and perforated top.
- **Blender Shelf:**
22 gauge 304 series stainless steel.
- **Soda Gun Holder:**
18 gauge 304 series stainless steel.
- **Panels:**
Laminated side panels (specify make and color). Optional stainless panels.
- **Front Apron:**
20 gauge 304 series stainless steel clad over 20 gauge galvaneal.
- **Sides:**
20 gauge 304 series stainless steel.
- **Cold Plate:**
Cast aluminum plate with eight circuits. Plate is sealed into bottom. Each circuit is 5/16" O.D. stainless steel tubing. Two full with remainder to be half circuits. Bump and swedge fittings on ends.
- **Tubing Access:**
4" x 4" cutout with chase.
- **Legs:**
1 5/8" tubular 16 gauge stainless steel with grey thermoplastic bullet foot.
- **Insulation:**
Foam in place polyurethane.
- **Electrical:**
Duplex outlet located underneath.
- **Faucet (included):**
Royal Series 4" center deck mount faucet with cartridge valve assembly.
- **Plumbing:**
1/2" IPS drain connection with Cold Plate.
1" IPS drain connection without Cold Plate.
1 1/2" IPS drain connection (Bowls).
1" IPS drain connection on shelf.

Approved By: _____

Model: _____ Item #: _____ Quantity: _____ Project: _____

Royal Series



Mechanical Requirements:

- 1/2" IPS Hot and Cold Water.
- 1" IPS Drain Connection without Cold Plate.
- 1/2" IPS Drain Connection with Cold Plate.
- 1 1/2" IPS Drain Connection (Bowls).

Approved By: _____

Due to our commitment to continued product improvement, specifications are subject to change without notice.